

Technical data sheet



Product features

Cooking range solid top gas with static electric oven GN 2/1 - 3x burner

Model	SAP Code	00018742
--------------	-----------------	----------



- Device type: Combined unit
- Ignition: Piezo+večný plamen
- Protection of controls: IPX4
- Material: Stainless steel

SAP Code	00018742	Power gas [kW]	25.400
Net Width [mm]	800	Type of gas	Natural gas, propane butane
Net Depth [mm]	700	Width of internal part [mm]	657
Net Height [mm]	900	Depth of internal part [mm]	558
Net Weight [kg]	135.00	Height of internal part [mm]	335
Power electric [kW]	6.300		

Technical data sheet



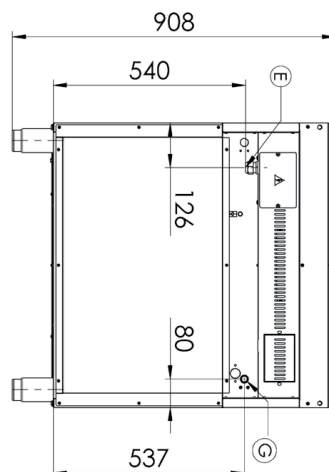
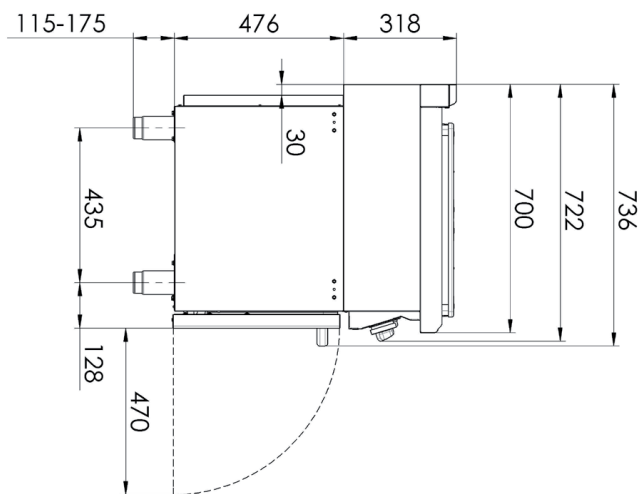
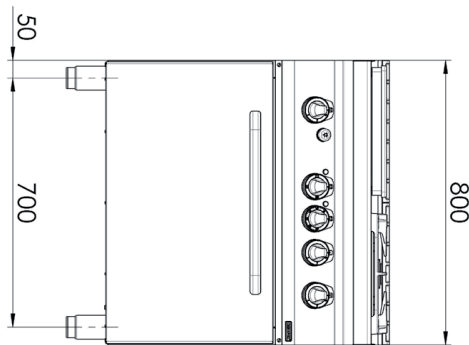
Technical drawing

Cooking range solid top gas with static electric oven GN 2/1 - 3x burner

Model

SAP Code

00018742



Technical data sheet



Technical parameters

Cooking range solid top gas with static electric oven GN 2/1 - 3x burner

Model

SAP Code

00018742

1. SAP Code:

00018742

2. Net Width [mm]:

800

3. Net Depth [mm]:

700

4. Net Height [mm]:

900

5. Net Weight [kg]:

135.00

6. Gross Width [mm]:

840

7. Gross depth [mm]:

800

8. Gross Height [mm]:

975

9. Gross Weight [kg]:

135.00

10. Device type:

Combined unit

11. Construction type of device:

With substructure

12. Power electric [kW]:

6.300

13. Power gas [kW]:

25.400

14. Ignition:

Piezo+večný plamen

15. Type of gas:

Natural gas, propane butane

16. Protection of controls:

IPX4

17. Material:

Stainless steel

18. Indicators:

operation and warm-up

19. Worktop material:

AISI 304

20. Worktop Thickness [mm]:

1.20

21. Number of power control stages:

6

22. Safety thermocouple:

Yes

23. Safety thermostat:

Yes

24. Safety thermostat up to x ° C:

360

25. Number of burners/hot plates:

3

26. Type of gas cooking zones:

Fire protection to install + Classic burners

27. Burner type:

Brass, detachable

28. Oven Type:

electrical static

Technical data sheet



Technical parameters

Cooking range solid top gas with static electric oven GN 2/1 - 3x burner

Model

SAP Code

00018742

29. Oven size:

GN 2/1

33. Height of internal part [mm]:

335

30. Oven material:

Stainless steel

34. Maximum temperature of the inner chamber [°C]:

300

31. Width of internal part [mm]:

657

35. Minimum temperature of the inner chamber [°C]:

50

32. Depth of internal part [mm]:

558